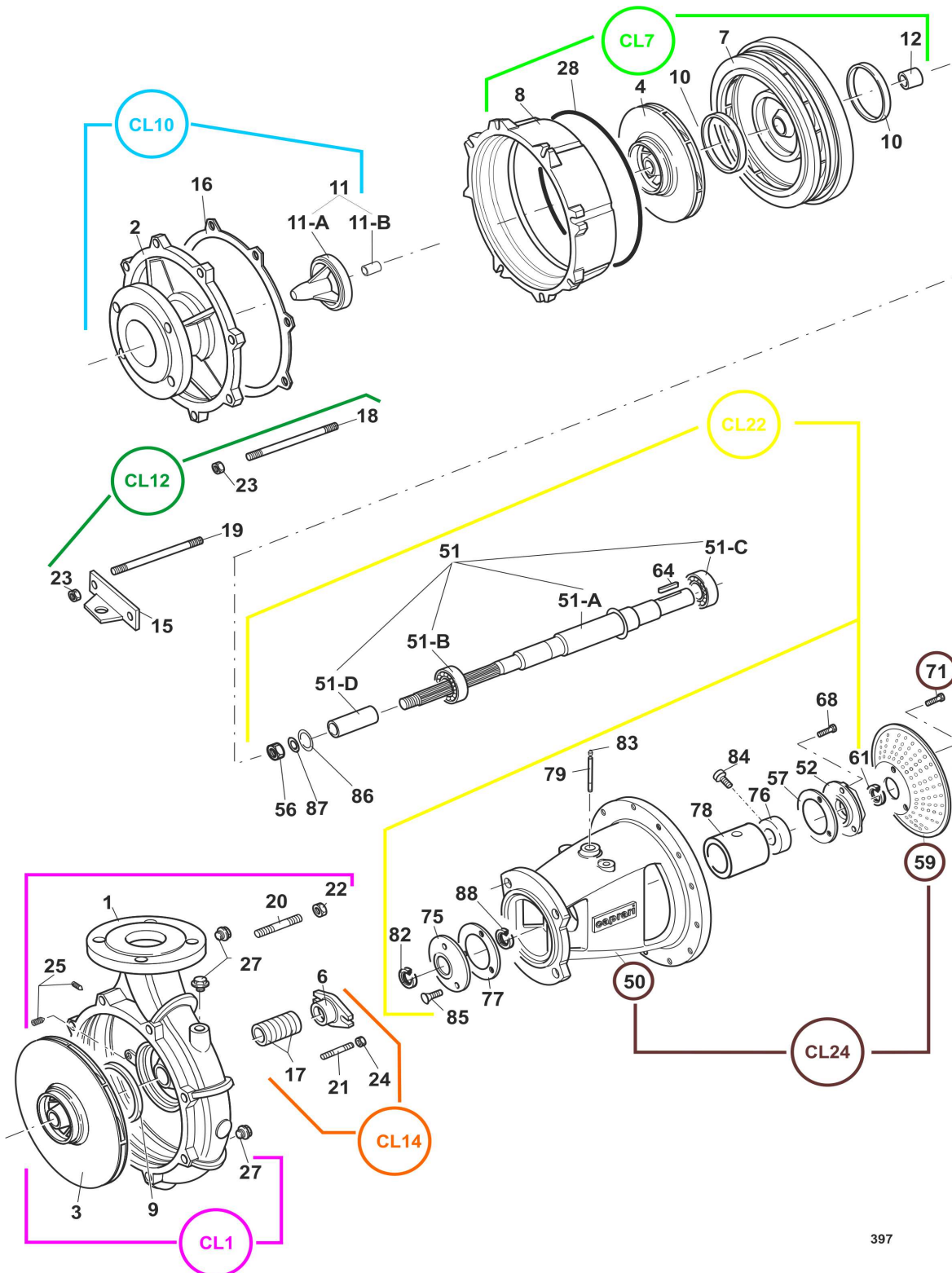


CAPRARI S.p.A

41123 MODENA (ITALY) - VIA EMILIA OVEST, 900
 Tel. +39 059897611 - Fax +39 059 897897
 email: info@caprari.it - www.caprari.com



781074 - MEC-MG100HT/2A POMPA ORIZZONTALE



COMPONENTS LIST

Pos.	Code	Serial N°	Description	Qty
1	400103	MEC100/420-1	DELIVERY CASING	1 PZ
3	401346	MECMG100HT/420-5A	IMPELLER D.420	1 PZ
9	440540	MEC100/420-165A	WEAR RING	1 PZ
20	300380	PN0721	STUD M20(6G/6G)X45 UNI 5909-5.8	4 PZ
22	310034	DN0723	NUT M20 UNI 5588-6S	4 PZ
25	300760	GC0726	DOWEL M14X16 UNI 5923-12.9	2 PZ
27	310714	TF01304	PLUG 3/8"GAS CONICAL (AFL N.292)	3 PZ
2	400400	MEC100/420-3	SUCTION COVER	1 PZ
11	420140	MECMG100HT-1029	WEAR RING WITH BEARING	1 PZ
11-B	430270	MECMG100/125HT-68	PUMP SHAFT BEARING BUSH	1 PZ
16	330738	MEC125/420-141	GASKET FOR SUCTION COVER	2 PZ
15	450405	MECM100-207	STAND FEET	1 PZ
18	300613	PS01096	SPECIAL STUD M16X164	10 PZ
19	300680	PS01601	SPECIAL STUD M16X170	2 PZ
23	310031	DN0724	NUT M16 UNI 5588-6S	12 PZ
6	410634	MEC100/420-8	STUFFING BOX	1 PZ
17	330346	MEC100/420-33	PACKING	7 PZ
21	300398	PN02011	STUD M12(6G/6G)X65 UNI5909	2 PZ
24	310203	DN01435	NUT M12 UNI5588-A2	2 PZ
4	401345	MECMG100HT/330-5A	IMPELLER D.330	1 PZ
7	430388	MECM100-73	DIFFUSER	1 PZ
8	430391	MECM125-74	STAGE CASING	1 PZ
10	440540	MEC100/420-165A	WEAR RING	2 PZ
12	411220	MECMG100HT/P-10	SPACER SLEEVE	1 PZ
28	330471	OR0897	OR SEAL 430,66X3,53 OR41700(AP)	1 PZ
51	411222	MEC100MGHT/2-1007	PUMP SHAFT + CSN L.738	1 PZ
51-B	350128	CSN02220	BEARING NJ309	1 PZ
51-C	350116	CSN0852	BEARING 3310/C3 (N.12 BALLS)	1 PZ
51-D	411219	MECMG100HT-220	SHAFT SPACER SLEEVE	1 PZ
52	411215	MECMG100HT-9	BEARING COVER	1 PZ
56	310052	DS0032246	NON-STANDART NUT M27X2X22 UNI5588-A2	1 PZ
57	330828	MECMGHT-146	GASKET FOR FLANGE	1 PZ
61	330238	AT02141	SEAL RING V 50 S (A+P)	1 PZ
64	310981	LCH02551	FEATHER KEY A14X9X80 UNI6604-C50	1 PZ
68	300208	VTT02508	SCREW M10X25 UNI 5931-8.8-F.ZN 3 II	3 PZ
75	411216	MECMG100HT/P-9	BEARING COVER	1 PZ
76	310596	MECMG100HT-215	CIRCLIP	1 PZ
77	330827	MECMGHT/P-146	GASKET FOR FLANGE	1 PZ
78	411218	MECMG100HT-10	SPACER SLEEVE	1 PZ
79	440239	MECMG100HT-132	LUBRICATING PIPE FOR BEARING	1 PZ
82	330244	AT02233	SEAL RING V 45 S (A+P)	1 PZ
84	300062	VTT01085	SCREW M8X30 UNI 5931-8.8	1 PZ
85	300076	VTT0032249	SCREW M10X25 UNI5933-8.8	3 PZ
86	310341	RLS0032233	WASHER 34,5X57X5	1 PZ
87	310343	RLS0032252	WASHER 28,4X48,5X5,8 (NL27SP)	1 PZ
88	330251	AT0035670	SEAL RING 45X60X8 FORM AS (A+P)	1 PZ
50	420307	MECMG100HT-32	LANTERN BRACKET	1 PZ

59	460365	MECMG100HT-240	PTO SHAFT GUARD	1 PZ
71	300206	VTT02591	SCREW M6X10 UNI 5931-8.8	2 PZ